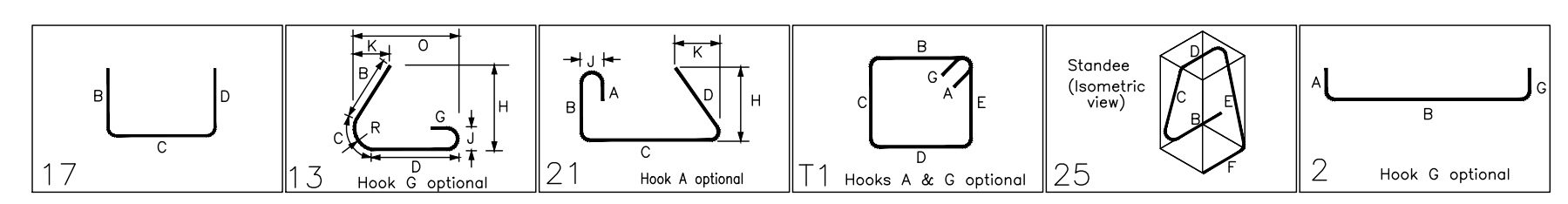


Bar Mark	Qty	Size	Total Length	Type	X'	Y'	X''	Y''	X'''	Y'''	X''''	Y''''	X'''''	Y'''''
4A02	4	#4	4'-0"	17		2'-0"	2'-0"							
4A03	2	#4	8'-0"	17		4'-5"	4'-5"							
4A04	2	#4	5'-4"	17		2'-8"	2'-8"							
4A05	2	#4	5'-10"	17		2'-11"	2'-11"							
4A07	9	#4	9'-0"	13		3'-8"	11'-3"	3'-8"				2'-8"	3'-8"	4'-3"
4A08	9	#4	13'-1"	21		0'-11"	12'-1"					11'-11"	2'-8"	
4A09	9	#4	13'-1"	21		0'-11"	12'-2"					11'-11"	2'-8"	
4A10	136	#4	8'-1"	11	0'-4"	2'-1"	1'-3"	2'-1"	1'-3"	0'-4"		0'-4"	0'-4"	0'-4"
4A11	12	#4	5'-2"	25		1'-6"	0'-9"	0'-8"	0'-9"	1'-6"		0'-9"	0'-4"	
4A13	12	#4	5'-5"	25		1'-6"	0'-10"	0'-8"	0'-10"	1'-6"		0'-10"	0'-5"	
4A16	9	#4	6'-3"	25		1'-6"	1'-3"	0'-8"	1'-3"	1'-6"		1'-3"	0'-7"	
4A17	51	#4	9'-5"	11	0'-4"	2'-5"	1'-5"	2'-11"	1'-5"	0'-4"		2'-10"	1'-5"	
5A01	8	#5	9'-8"	25		1'-6"	2'-11"	0'-10"	2'-11"	1'-6"		2'-10"	1'-5"	
5A02	8	#5	9'-4"	2	0'-10"	8'-6"								
5A03	6	#5	16'-4"	2	0'-10"	17'-8"								
5A04	8	#5	7'-7"	25		1'-6"	1'-10"	0'-10"	1'-10"	1'-6"		1'-10"	0'-11"	
6A01	6	#6	17'-8"	13		6'-11"	3'-1"	6'-11"				4'-11"	7'-1"	8'-1"
6A02	12	#6	9'-4"	21		1'-11"		7'-5"				7'-4"	1'-1"	1'-1"
6A04	32	#6	12'-0"	17		2'-9"	6'-5"	2'-9"						
6A05	16	#6	11'-5"	17		2'-9"	6'-2"	2'-9"						
6A06	32	#6	11'-0"	17		1'-9"	5'-4"	1'-9"						
6A08	16	#6	11'-3"	17		2'-0"	6'-4"	2'-9"						
6A09	10	#6	8'-3"	17		1'-0"	5'-4"	1'-9"						
6A10	10	#6	8'-8"	17		1'-9"	5'-2"	1'-9"						
8A02	24	#8	4'-5"	2	1'-4"	3'-1"								
8A04	112	#8	4'-6"	2	1'-4"	3'-2"								



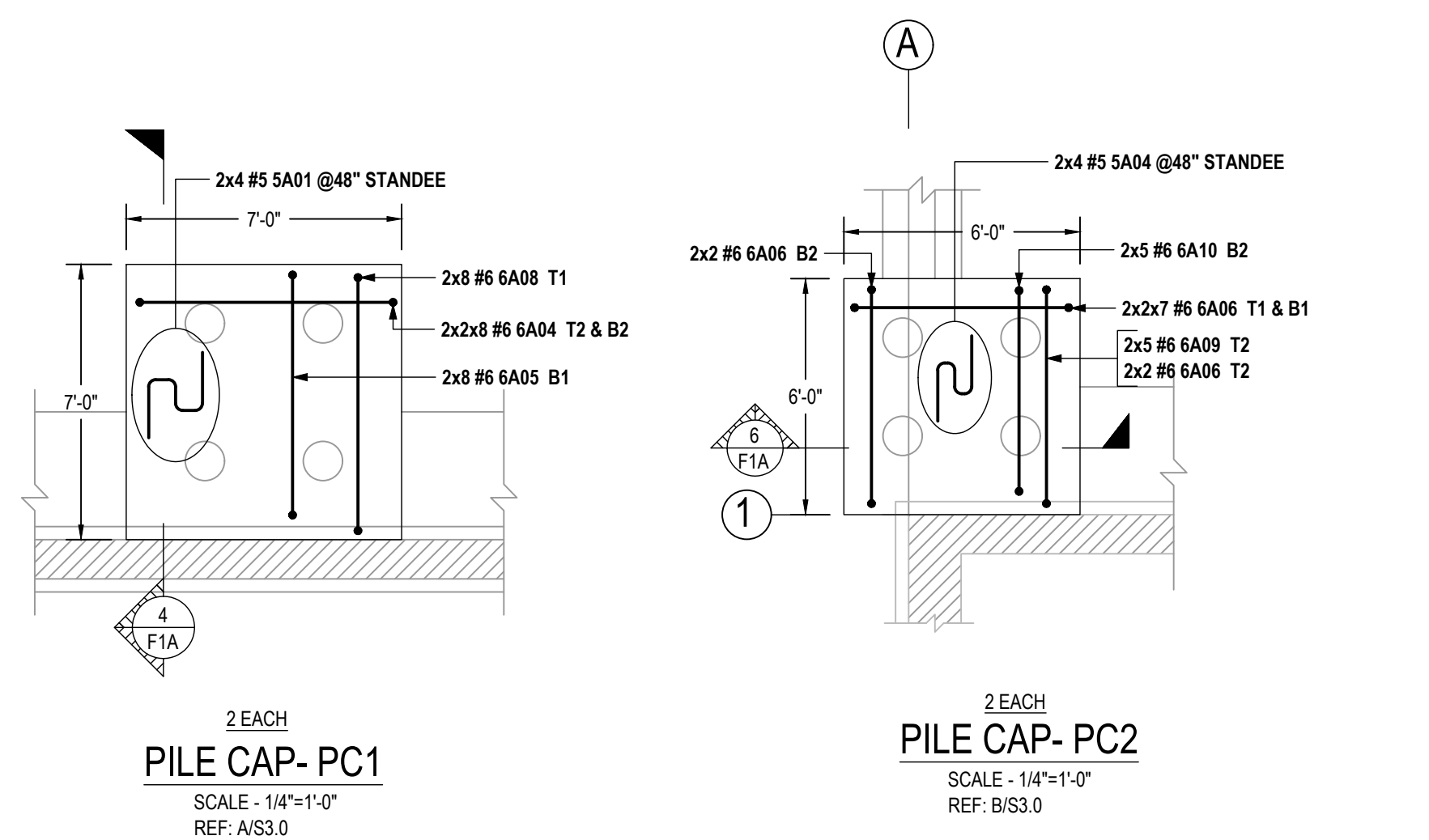
LAP SCHEDULE		
REF: S0.0		
(FOR FOUNDATION)		
SIZE	4000 PSI	
	TOP	OTHERS
#3	24"	18"
#4	32"	25"
#5	40"	31"
#6	48"	38"
#7	70"	54"
#8	80"	62"
#9	91"	70"
#10	102"	79"

CLEAR COVER DETAILS		
REF: S0.0 (GSN)		
CLEAR COVER FOOTING		
TOP	2" CLR.	
SIDE	3" CLR.	
BOT.	3" CLR.	

CLEAR COVER DETAILS		
REF: S0.0 (GSN)		
CLEAR COVER WALL		
TOP	2" CLR.	
SIDE	3" CLR.	

CLEAR COVER DETAILS		
REF: S0.0 (GSN)		
CLEAR COVER SLAB		
SIDE	2"	
BOTTOM	MID OF SLAB	

FOUNDATION REINFORCEMENT DETAILS
SCALE: 3/32"=1'-0"
REF: S1.0



ISOLATED FOOTING SCHEDULE					
REF: S1.0					
MARK	QTY	SIZE	BOTTOM OF FOOTING	REINFORCEMENT	REMARKS
F30A	11	3'-0" X 3'-0" X 1'-0"	EL. (-3'-8")	11x2x4 #4 X 2'-6" BOT. EW	SECTION-2 SIM.
F50	3	5'-0" X 5'-0" X 1'-0"	EL. (-3'-8")	3x2x7 #4 X 4'-6" BOT. EW	SECTION-2 SIM.
F70A	3	7'-0" X 7'-0" X 1'-5"	EL. (-3'-8")	3x2x6 #6 X 6'-6" TOP EW 3x4 #4 4A11 @48" STANDEE	SECTION-2
F80	3	8'-0" X 8'-0" X 1'-7"	EL. (-2'-3")	3x2x6 #7 X 7'-6" TOP EW 3x2x6 #7 X 7'-6" BOT. EW 3x4 #4 4A13 @48" STANDEE	SECTION-5
F100	3	10'-0" X 10'-0" X 2'-0"	EL. (-2'-8")	3x2x9 #7 X 9'-6" TOP EW 3x2x9 #7 X 9'-6" BOT. EW 3x3 #4 4A16 @48" STANDEE	SECTION-5 SIM.

PIER REINFORCING SCHEDULE					
REF: S1.0					
MARK	QTY	PIER SIZE	TOP OF FOOTING	REINFORCEMENT	REMARKS
P1A	11	1'-10" X 2'-4"	EL. (-2'-8")	11x8 #8 8A04 DV 11x2 #4 4A10 @12" TIES 11x6 #4 4A10 @3" TIES @ TOP	SECTION-2 SIM.
P1B	3	1'-10" X 2'-4"	EL. (-2'-8")	3x8 #8 8A04 DV 3x2 #4 4A10 @12" TIES 3x6 #4 4A10 @3" TIES @ TOP	SECTION-2 SIM.
P1B(a)	3	1'-10" X 2'-4"	EL. (-2'-3")	3x8 #8 8A02 DV 3x2 #4 4A10 @12" TIES 3x6 #4 4A10 @3" TIES @ TOP	SECTION-2

MESH SCHEDULE			
TYPE	SHEET SIZE	SHEET QTY INCLUDES 15% LAP	REMARK
6 X 6-W4.0xW4.0 WWF	8'-0" X 20'-0"	205 EACH	6" THICK SOG AREA- 28300 SQ.FT

No.	Description	Date	By
2	REVISED AS PER AE COMMENTS	05/13/2020	ARW
1	REVISED AS PER LATEST CD'S (DT ON 04/23/2020)	04/29/2020	ARW
0	FOR APPROVAL	03/16/2020	ARW

Revisions and Issue Record

The full intent and purpose of this drawing is the placing of reinforcing steel bars ONLY. It is NOT to be used as a means of communication between the Architect, Engineer, Contractor or any other Sub-Trades.

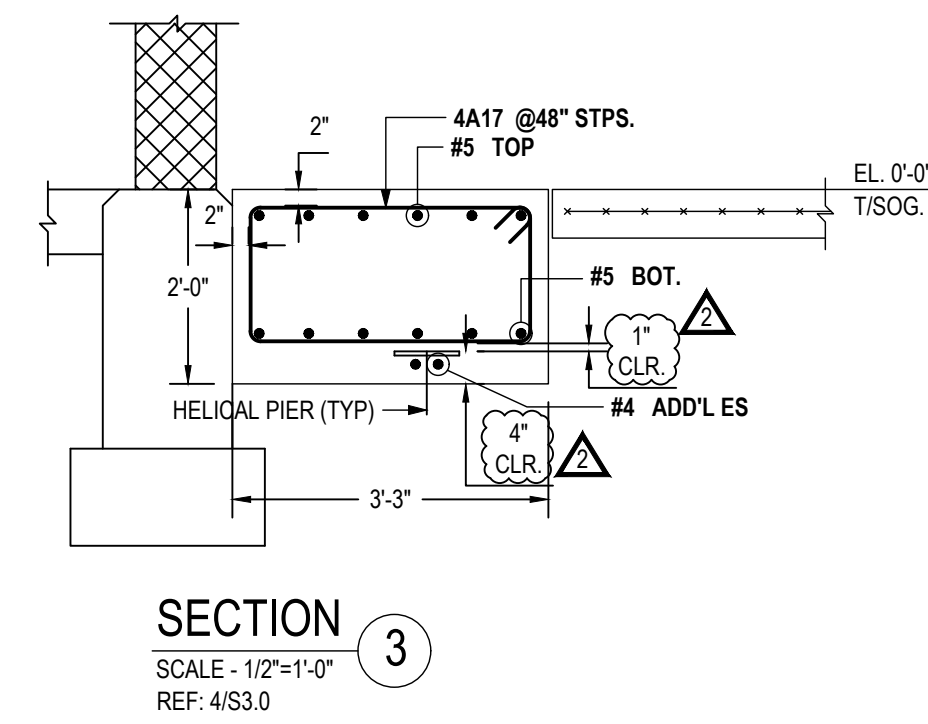
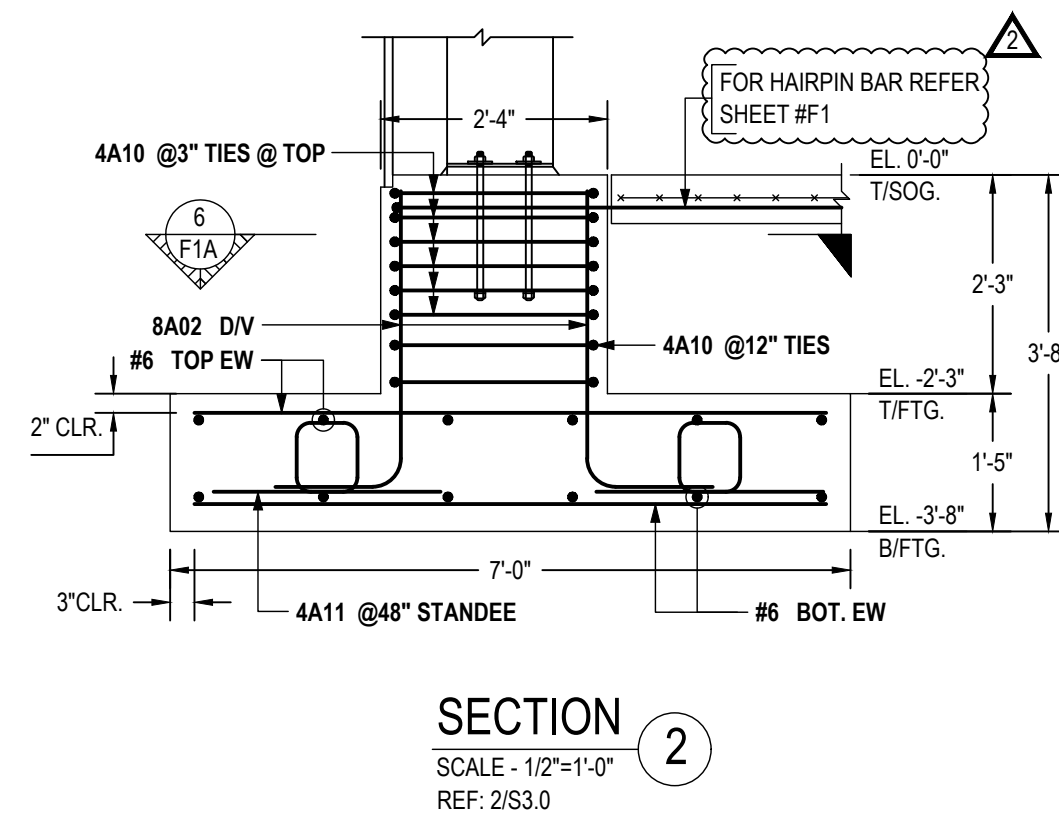
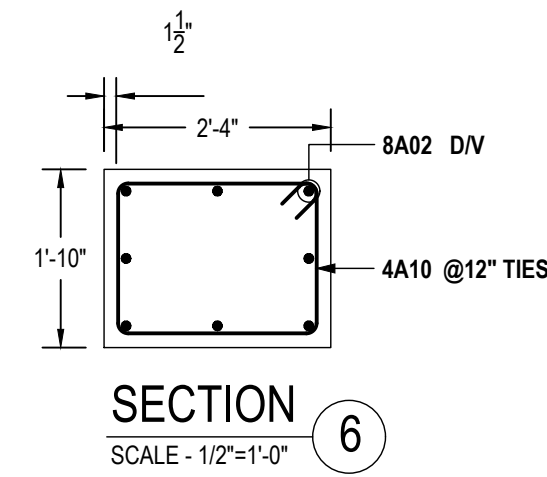
THIS DRAWING IS NOT TO BE SCALED.

C.C. KING MASONRY AND STEEL SUPPLY
Millsville, NJ 08352
Phone: 856-825-3275
Fax: 856-327-3732

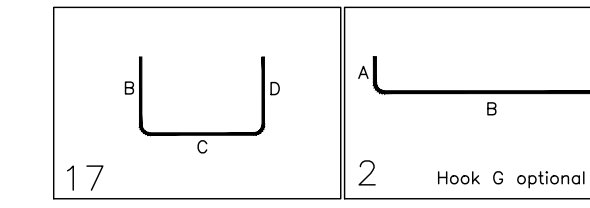
Project: Architectural Metal Design
Drawing: FOUNDATION
Customer:
Contractor: -
Refer to Release: F1

Date	Drawn	Chkd.	JOB No.	Dwg. No.
03/16/2020	ARW	ARW	-	F1

FOR FIELD USE



Drawing Sheet : F1A				BENDING DETAILS											
Bar Mark	Qty	Size	Total Length	Type	X	Y	Z	V	W	U	T	S	R	Q	P
4A01	339	#4	4'-3"	17											
4A06	339	#4	5'-5"	2											



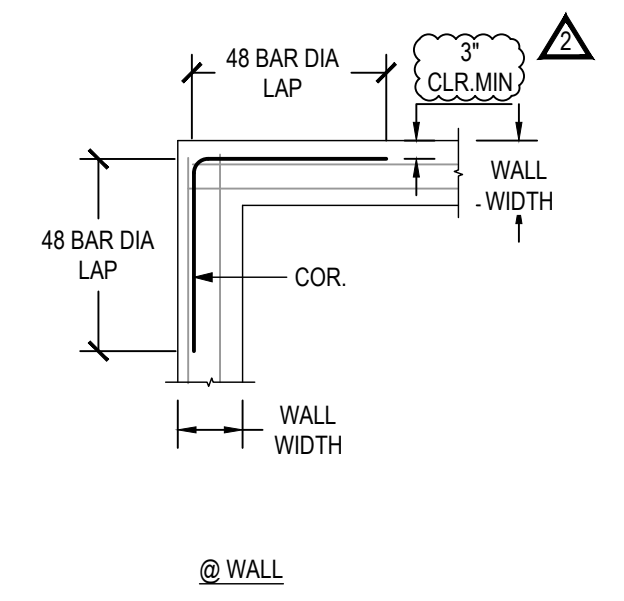
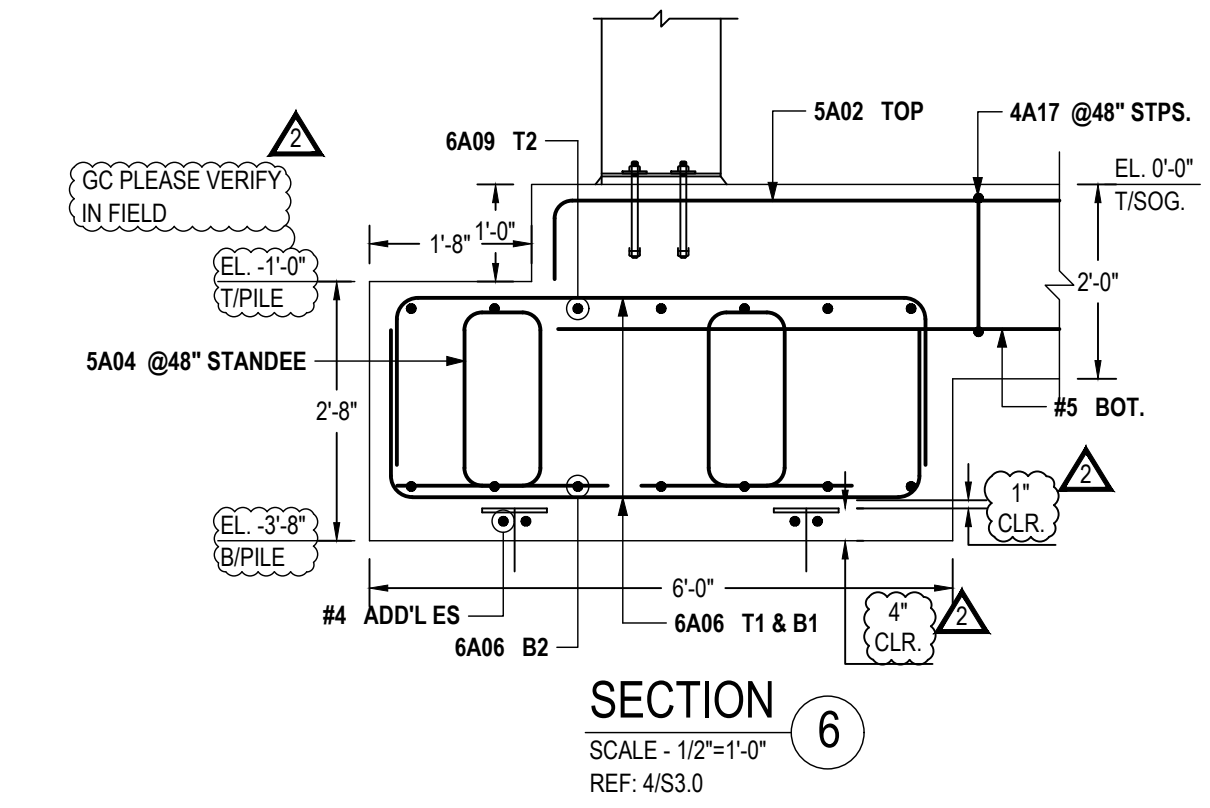
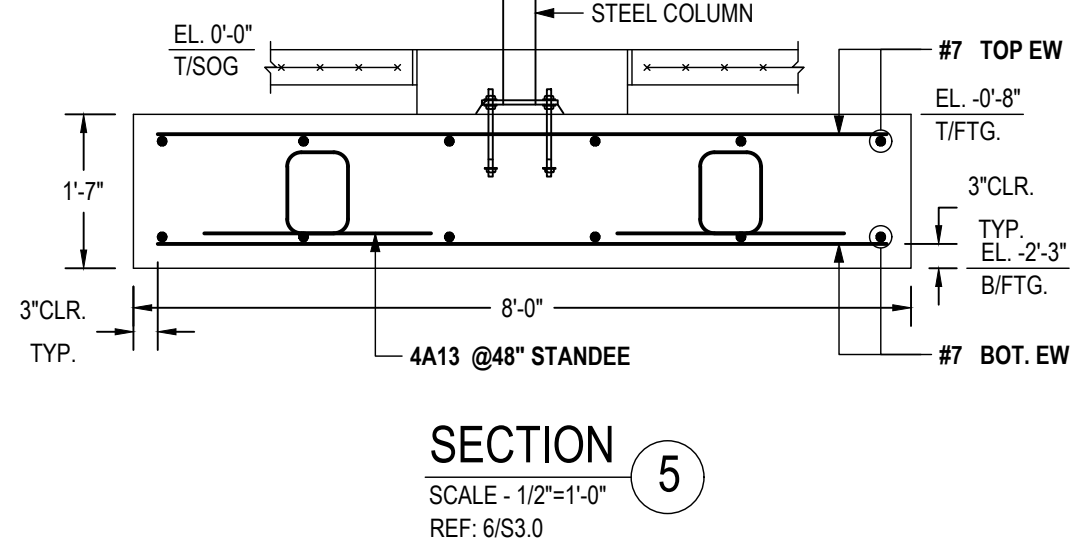
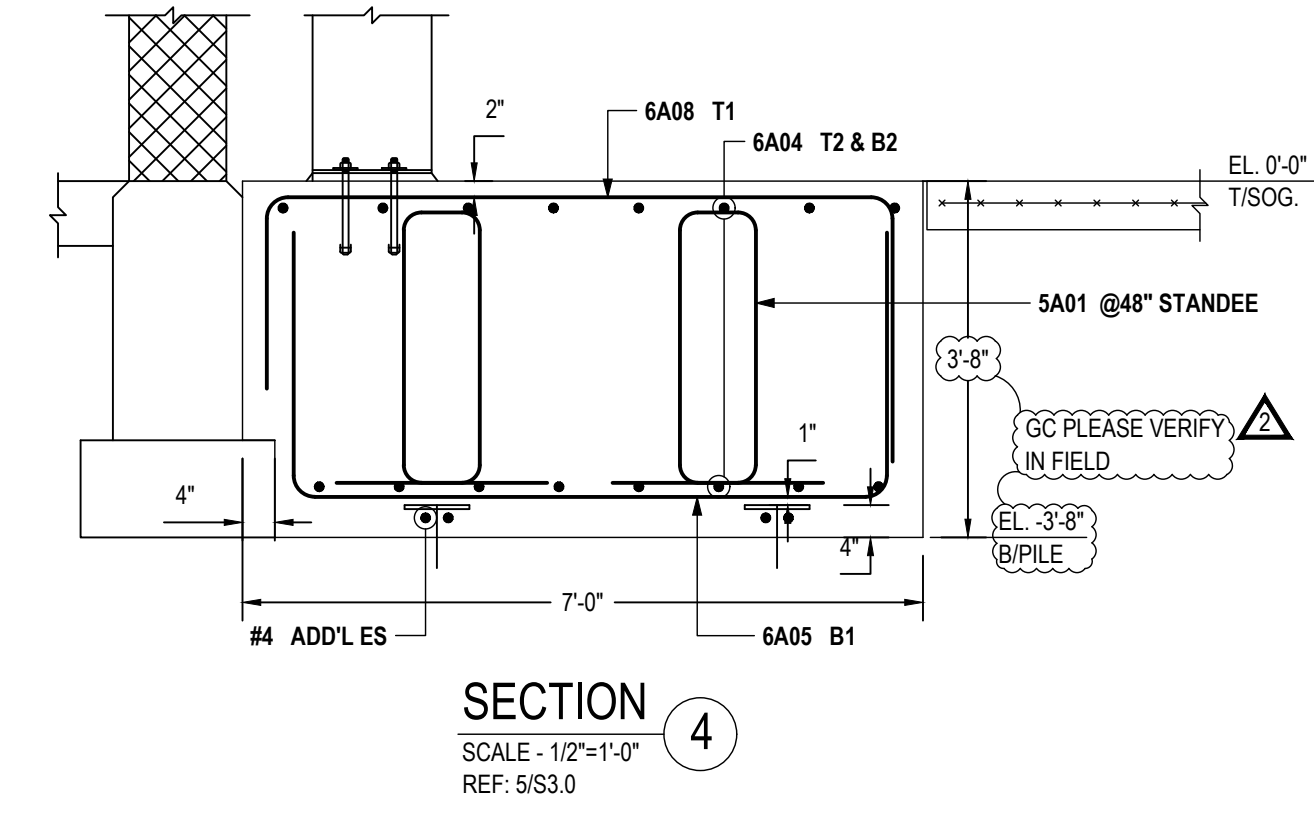
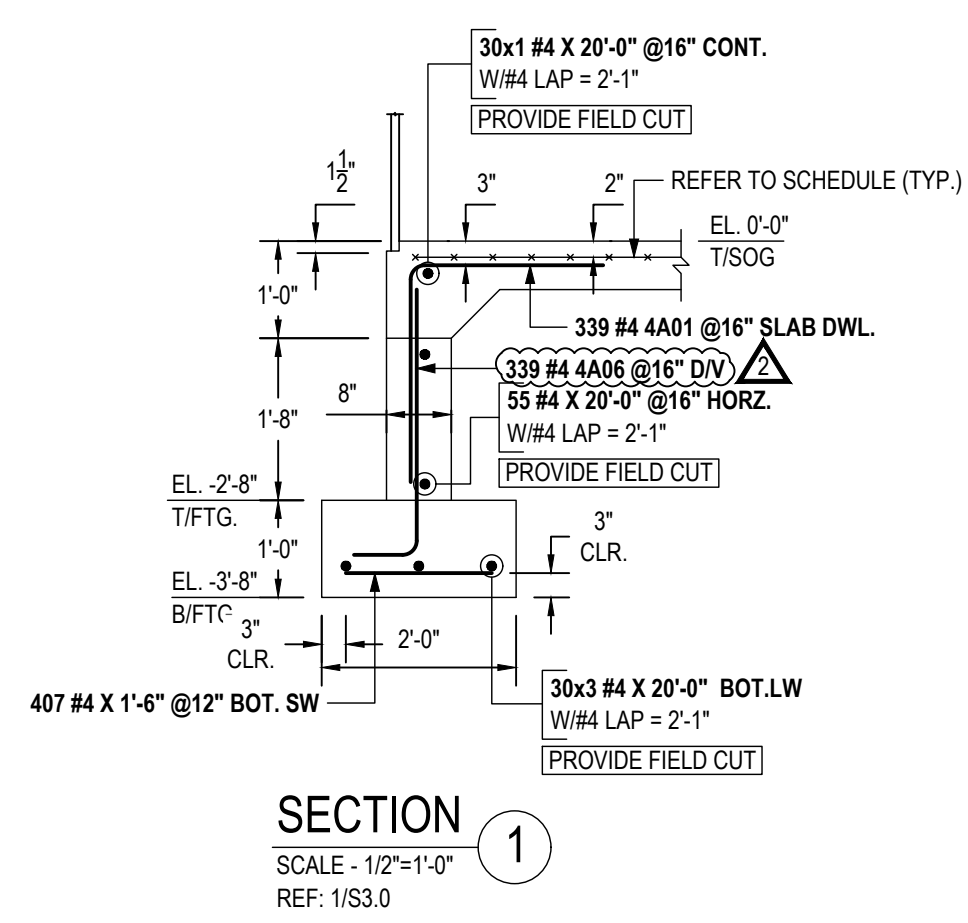
LAP SCHEDULE		
REF: S0.0		
(FOR FOUNDATION)		
SIZE	4000 PSI	
	TOP	OTHERS
#3	24"	18"
#4	32"	25"
#5	40"	31"
#6	48"	38"
#7	70"	54"
#8	80"	62"
#9	91"	70"
#10	102"	79"

CLEAR COVER DETAILS	
REF: S0.0 (GSN)	
CLEAR COVER FOOTING	
TOP	2" CLR.
SIDE	3" CLR.
BOT.	3" CLR.

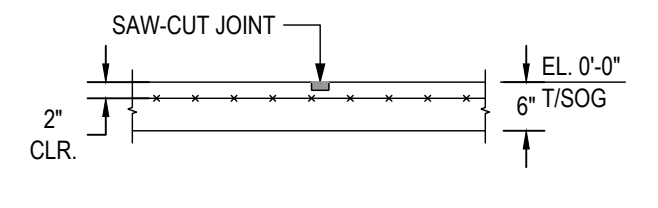
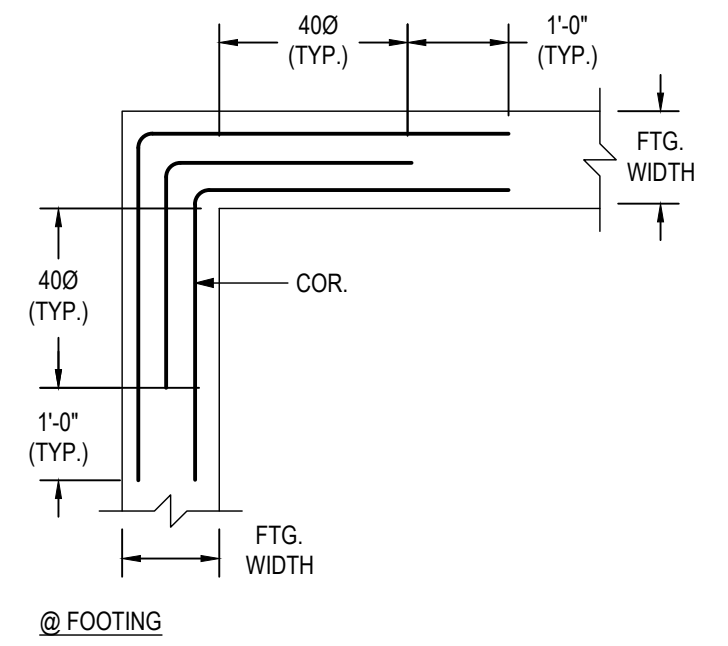
CLEAR COVER DETAILS	
REF: S0.0 (GSN)	
CLEAR COVER SLAB	
SIDE	2"
BOTTOM	MID OF SLAB

CLEAR COVER DETAILS	
REF: S0.0 (GSN)	
CLEAR COVER WALL	
TOP	2" CLR.
SIDE	1" CLR.

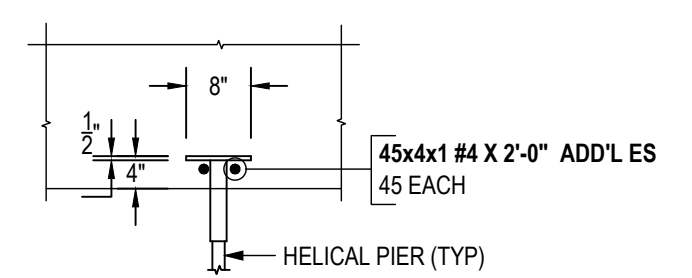
ABBREVIATIONS	
CONTINUOUS	CONT.
CORNER BAR	COR.
BOTTOM	BOT.
HORIZONTAL	HORZ.
EACH WAY	EW
DOWEL	DWL.
DOWEL/VERTICAL	DV
REFERENCE	REF.



TYPICAL CORNER BAR DETAILS
SCALE - 1/2"=1'-0"
REF: E&J/S2.0



TYPICAL CONTROL JOINT DETAIL (C.J.)
SCALE - 1/2"=1'-0"
REF: C/S2.0



TYPICAL HELICAL PIER REINFORCEMENT DETAIL
SCALE - 1/2"=1'-0"
REF: E/S3.0

No.	Description	Date	By
2	REVISED AS PER AE COMMENTS	05/13/2020	ARW
1	REVISED AS PER LATEST CD'S (DT ON 04/23/2020)	04/29/2020	ARW
0	FOR APPROVAL	03/16/2020	ARW

Revisions and Issue Record

The full intent and purpose of this drawing is the placing of reinforcing steel bars ONLY. It is NOT to be used as a means of communication between the Architect, Engineer, Contractor or any other Sub-trades.

THIS DRAWING IS NOT TO BE SCALED.

C.C. KING MASONRY AND STEEL SUPPLY
Millville, NJ 08332
Phone: 856-825-3275
Fax: 856-327-3732

Project: Architectural Metal Design
Drawing: FOUNDATION
Customer:
Contractor: -
Refer to Release: F1A

Date	Drawn	Chkd.	JOB No.	Dwg. No.
03/16/2020	ARW	ARW	-	F1A

FOR FIELD USE